

0985097-03101

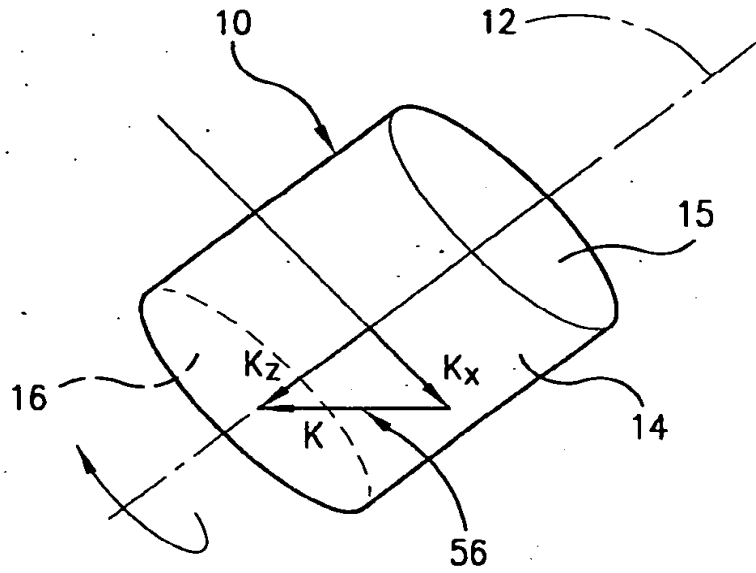


FIG. 1

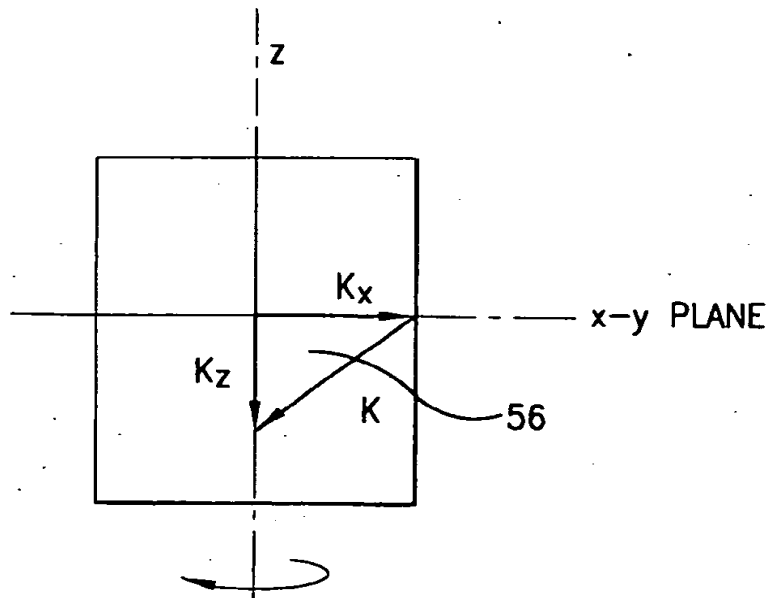


FIG. 2

05660220000000

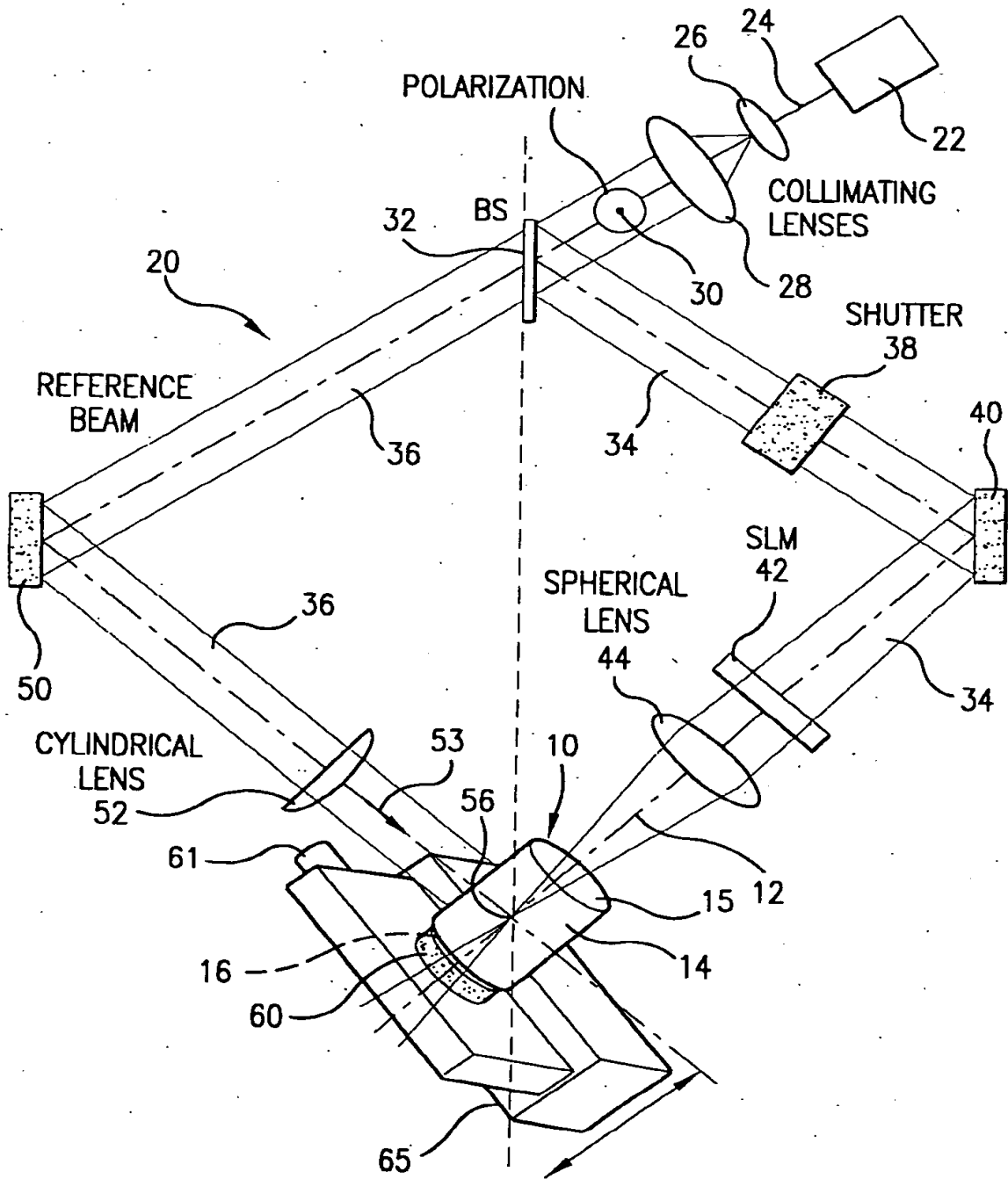


FIG. 3

REF ID: A605850

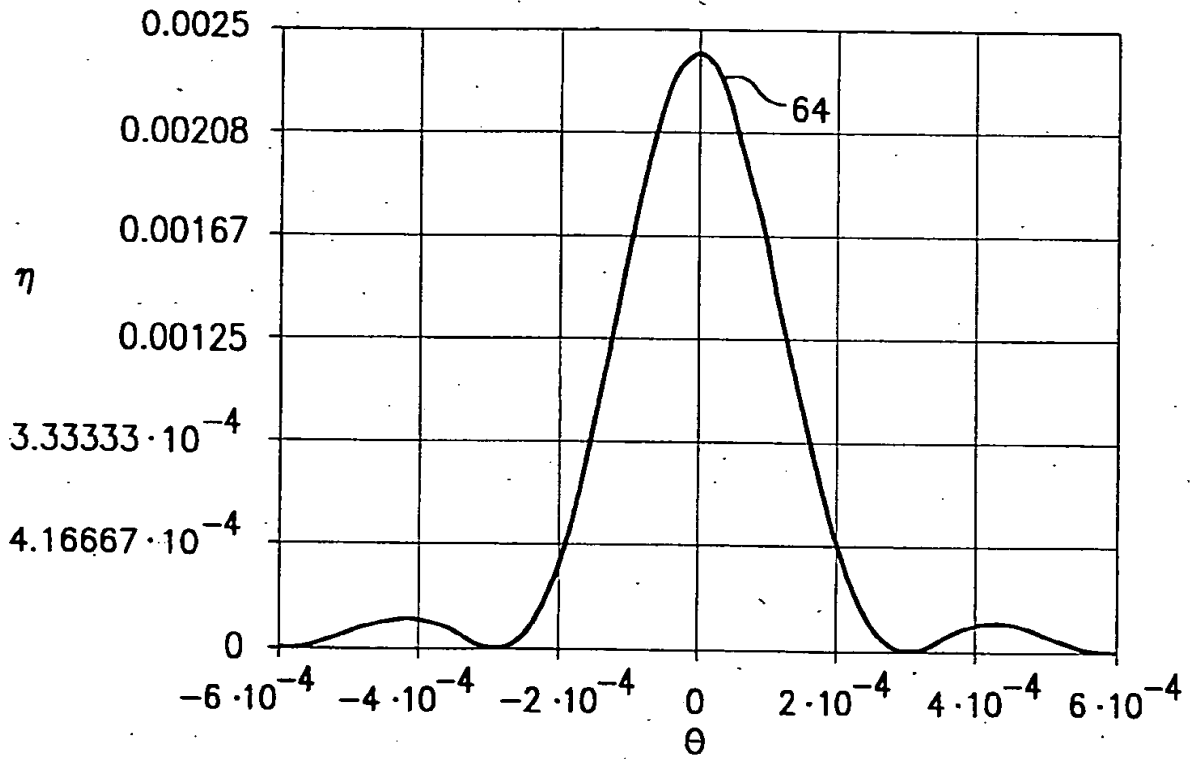
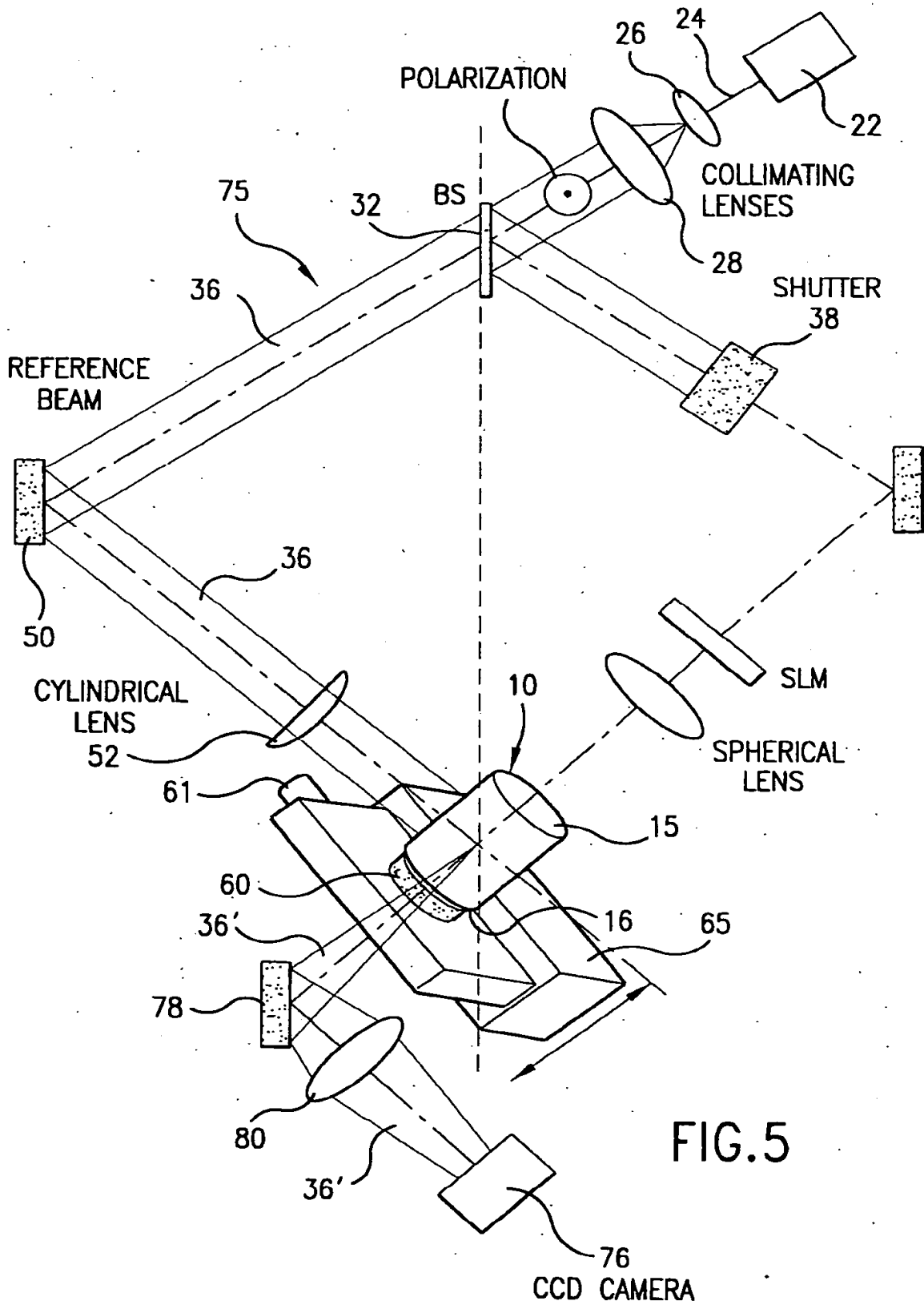


FIG.4

101300-290560



TOP SECRET

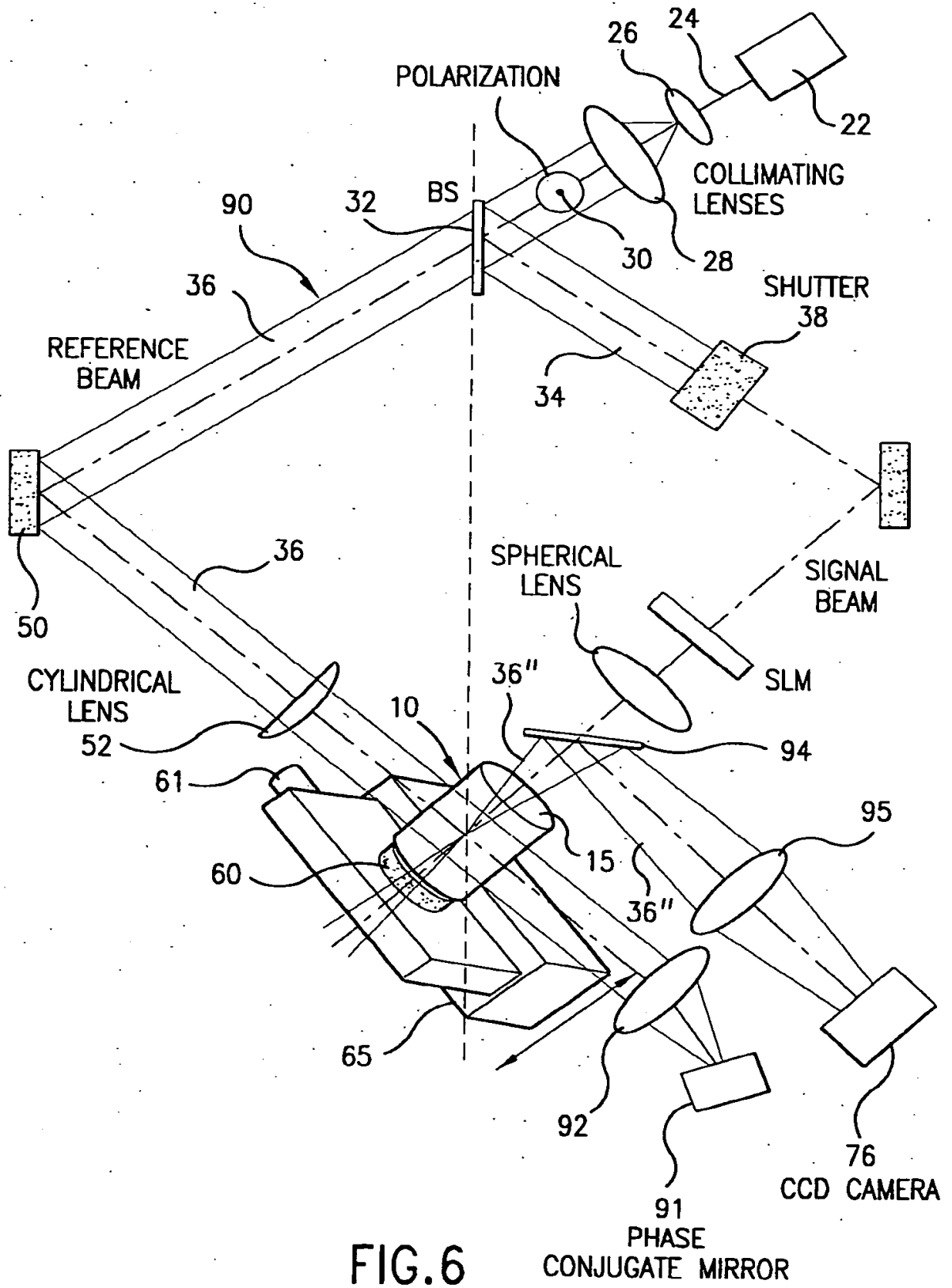


FIG. 6

PHASE CONJUGATE MIRROR

TOP SECRET

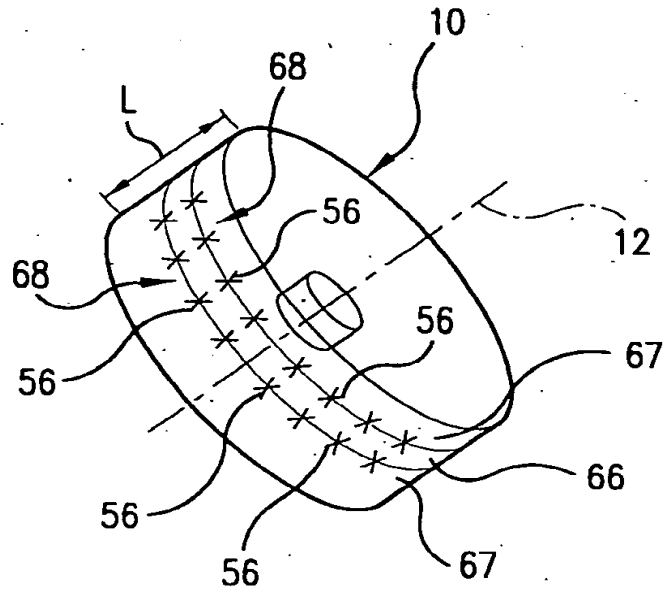


FIG. 7

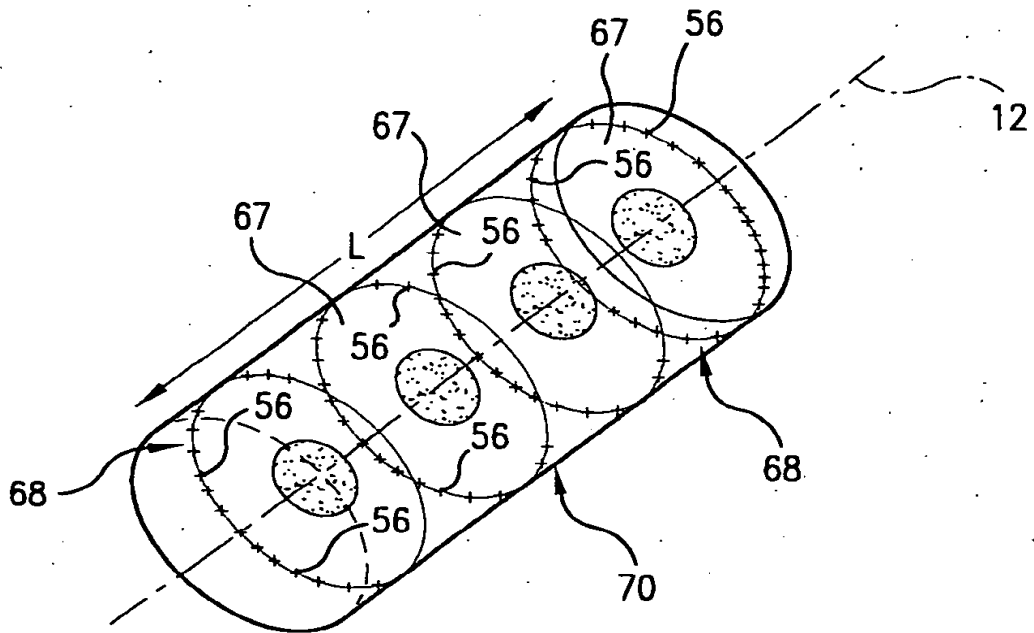


FIG. 8